



LED RGB SPOTS AND MOUNTING SLEEVES

FUNCTION DESCRIPTION

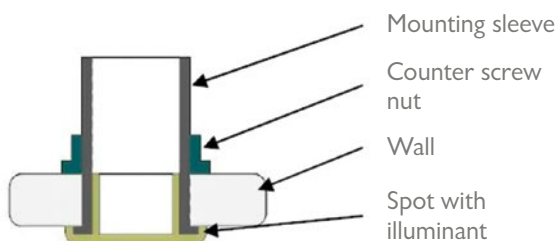
The spots have been especially developed for the use in Wellness areas and steam rooms. The protection class is IP65 and they are operated with low voltage. Furthermore the light bulb can be exchanged easily when the spots are already installed and sealed in. The spots are available in RGB or warm white. An easy installation is ensured as the spots are prepared for plug and play.



SCOPE OF DELIVERY

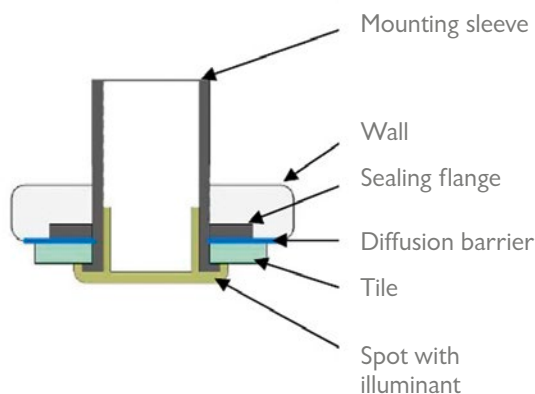
System for pre-coated, GFK or Aluminum surface:

- Spot LED-RGB 3 x 1 Watt multicolor IP65 stainless steel chrome plated or alu coated (color on demand), lense beamless
- Installation boring 42 mm
- Cover 60 mm outer diameter
- Mounting sleeve D 42 x 110 (40) mm with counter nut
- Incl. connection cable 20 cm JST



System for tiled surfaces:

- Spot LED-RGB 3 x 1 Watt multicolor IP65 stainless steel chrome plated or alu coated (color on demand), lense beamless
- Installation boring 42 mm
- Cover 60 mm outer diameter
- Mounting sleeve D 42 x 110 (40) mm with sealing flange
- Incl. connection cable 20 cm JST



TECHNICAL DATA

Electrical supply	350 mA
Power supply	3 x 1 W
Light colours	Red - Green - Blue
Installation boring	42 mm
Weight	app. 0.25 kg
Installation depth	55 mm or 125 mm Depending on mounting sleeve
Diameter of the cove	60 mm

ACCESSORIES / OPTIONS

- The spots are connected in serial. For the connection of the single spots there are extension cables available: 1.5 - 2.5 - 5.0 - 7.0 m.
- Also available in warm white