

LED SPOTS WARM WHITE AND MOUNTING SLEEVESS



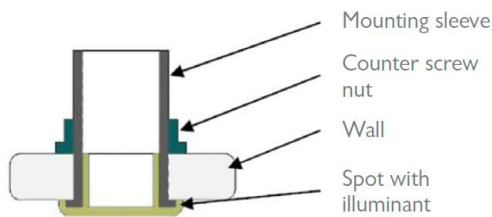
FUNCTION DESCRIPTION

The spots have been especially developed for the use in Wellness areas and steam rooms. The protection class is IP65 and they are operated with low voltage. Furthermore the light bulb can be exchanged easily when the spots are already installed and sealed in. An easy installation is ensured as the spots are prepared for plug and play.

SCOPE OF DELIVERY

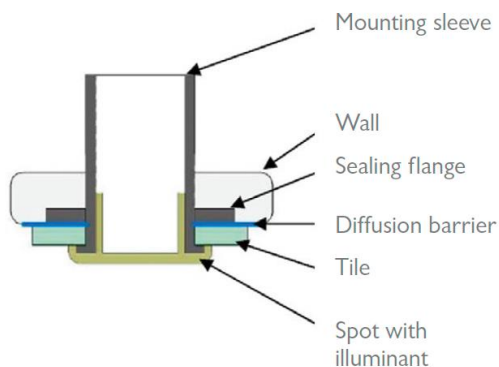
System for pre-coated, GFK or Aluminium surfaces:

- Spot LED-WW 1 Watt IP65 stainless steel chrome plated or alu coated (colour on demand), lense beamless
- Installation boring 42 mm
- Cover 60 mm outer diameter
- Mounting sleeve D 42 x 110 (40) mm with counter nut
- Incl. connection cable 20 cm JST



System for surfaces which will be tiled:

- Spot LED-WW 1 Watt IP65 stainless steel chrome plated or alu coated (colour on demand), lense beamless
- Installation boring 42 mm
- Cover 60 mm outer diameter
- Mounting sleeve D 42 x 110 (40) mm with sealing flange
- Incl. connection cable 20 cm JST



TECHNICAL DATA

Control signal	350 mA constant current
Power supply	1 W
Light colours	warm withe (2700°K)
Installation boring	42 mm
Weight	ca. 0.25 kg
Installation depth	55 mm or 125 mm Depending on mounting sleeve
Operation temp. range	0 of +60°C
Diameter of the cove	60 mm
Protection class	IP65

ACCESSORIES / OPTIONS

- The spots are connected in serial. For the connection of the single spots there are extension cables available: 1.5 - 2.5 - 5.0 - 7.0 m.